



THE DISPLAY CHOICE  
OF PROFESSIONALS™

LW-22E, LW-24E & LW-27E LED-Backlit Display

[www.agneovo.com](http://www.agneovo.com)

# User Manual

# TABLE OF CONTENTS

## SAFETY INFORMATION

WEEE.....	3
-----------	---

## PRECAUTIONS

Notice .....	4
Cautions When Setting Up .....	4
Cautions When Using.....	5
Cleaning and Maintenance.....	6
Notice for the LCD Display .....	6
Transporting the LCD Display .....	7

## CHAPTER 1: PRODUCT DESCRIPTION

1.1 Package Contents .....	9
1.2 Installation .....	10
1.2.1 Installing the Stand.....	10
1.2.2 Adjusting the Tilt .....	10
1.2.3 Wall Mounting.....	11
1.3 Control Buttons.....	12
1.4 Overview .....	14
1.4.1 Front View .....	14
1.4.2 Rear View .....	15

## CHAPTER 2: MAKING CONNECTIONS

2.1 Connecting the AC Power .....	16
2.2 Connecting Input Source Signals .....	17
2.3 Connecting Audio Devices .....	18

## CHAPTER 3: ON SCREEN DISPLAY MENU

3.1 Using the OSD Menu .....	19
3.2 OSD Menu Tree .....	20

## CHAPTER 4: ADJUSTING THE LCD DISPLAY

4.1 Luminance Setting.....	22
4.2 Image Setup Setting.....	23
4.3 Color Temperature Setting .....	24
4.4 OSD Setup Setting .....	25
4.5 Extra Setting.....	26

## CHAPTER 5: APPENDIX

5.1 Warning Messages.....	27
5.2 Troubleshooting.....	28

## CHAPTER 6: SPECIFICATIONS

6.1 Display Specifications .....	29
6.2 Display Dimensions.....	30

# SAFETY INFORMATION



This device complies with part 15 of the FCC Rules. Operation is subject to the following two conditions: (1) This device may not cause harmful interference, and (2) this device must accept any interference received, including interference that may cause undesired operation.

## FCC Disclaimers

This equipment has been tested and found to comply with the limits for a Class B digital device, pursuant to part 15 of the FCC Rules. These limits are designed to provide reasonable protection against harmful interference in a residential installation. This equipment generates, uses and can radiate radio frequency energy and, if not installed and used in accordance with the instructions, may cause harmful interference to radio communications. However, there is no guarantee that interference will not occur in a particular installation. If this equipment does cause harmful interference to radio or television reception, which can be determined by turning the equipment off and on, the user is encouraged to try to correct the interference by one or more of the following measures:

- Reorient or relocate the receiving antenna.
- Increase the separation between the equipment and receiver.
- Connect the equipment into an outlet on a circuit different from that to which the receiver is connected.
- Consult the dealer or an experienced radio/TV technician for help.



### **WARNING:**

Making changes or modifications to the device without the permission from an authorized dealer may void the warranty of this device.

## WEEE

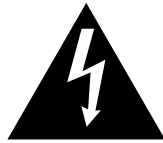
### **Information for users applicable in European Union countries**



The symbol on the product or its packaging signifies that this product has to be disposed separately from ordinary household wastes at its end of life. Please kindly be aware that this is your responsibility to dispose electronic equipment at recycling centers so as to help conserve natural resources. Each country in the European Union should have its collection centers for electrical and electronic equipment recycling. For information about your recycling drop off area, please contact your local related electrical and electronic equipment waste management authority or the retailer where you bought the product.

# PRECAUTIONS

## PRECAUTIONS



**CAUTION**  
RISK OF ELECTRIC SHOCK  
DO NOT OPEN



### Symbols used in this manual



This icon indicates the existence of a potential hazard that could result in personal injury or damage to the product.



This icon indicates important operating and servicing information.

## Notice

- Read this User Manual carefully before using the LCD display and keep it for future reference.
- The product specifications and other information provided in this User Manual are for reference only. All information is subject to change without notice. Updated content can be downloaded from our web site at <http://www.agneovo.com>.
- To register online, go to <http://www.agneovo.com>.
- To protect your rights as a consumer, do not remove any stickers from the LCD display. Doing so may affect the determination of the warranty period.

## Cautions When Setting Up



Do not place the LCD display near heat sources, such as a heater, exhaust vent, or in direct sunlight.



Do not cover or block the ventilation holes in the housing.



Place the LCD display on a stable area. Do not place the LCD display where it may be subject to vibration or shock.



Place the LCD display in a well-ventilated area.



Do not place the LCD display outdoors.



Do not place the LCD display in a dusty or humid environment.



Do not spill liquid or insert sharp objects into the LCD display through the ventilation holes. Doing so may cause accidental fire, electric shock or damage the LCD display.

# PRECAUTIONS

## Cautions When Using



Use only the power cord supplied with the LCD display.



The power outlet should be installed near the LCD display and be easily accessible.



If an extension cord is used with the LCD display, ensure that the total current consumption plugged into the power outlet does not exceed the ampere rating.



Do not allow anything to rest on the power cord. Do not place the LCD display where the power cord may be stepped on.



If the LCD display will not be used for an indefinite period of time, unplug the power cord from the power outlet.



To disconnect the power cord, grasp and pull by the plug head. Do not tug on the cord; doing so may cause fire or electric shock.



Do not unplug or touch the power cord with wet hands.



### WARNING:

Unplug the power cord from the power outlet and refer to qualified service personnel under the following conditions:



- When the power cord is damaged.
- If the LCD display has been dropped or the housing has been damaged.
- If the LCD display emits smoke or a distinct odor.



Ceiling mount or mount on any other horizontal surface overhead are not advisable.



### WARNING:

Installation in contravention of the instructions may result in undesirable consequences, particularly hurting people and damaging property. Users who have already mounted the display on the ceiling or any other horizontal surface overhead are strongly advised to contact AG Neovo for consultations and solutions to help ensure a most pleasurable and fulfilling display experience.

# PRECAUTIONS

## Cleaning and Maintenance



Use a soft cloth to clean the glass surface and the housing.  
The display can be cleaned using a cloth moistened with 95% ethyl alcohol.



Do not rub or tap the surface of the glass with sharp or abrasive items such as a pen or screwdriver. This may result in scratching the surface of the glass.



Do not attempt to service the LCD display yourself, refer to qualified service personnel.  
Opening or removing the covers may expose you to dangerous voltage or other risks.

## Notice for the LCD Display

In order to maintain the stable luminous performance, it is recommended to use low brightness setting.

Due to the lifespan of the lamp, it is normal that the brightness quality of the LCD display may decrease with time.

When static images are displayed for long periods of time, the image may cause an imprint on the LCD display. This is called image retention or burn-in.

To prevent image retention, do any of the following:

- Set the LCD display to turn off after a few minutes of being idle.
- Use a screen saver that has moving graphics or a blank white image.
- Switch desktop backgrounds regularly.
- Adjust the LCD display to low brightness settings.
- Turn off the LCD display when the system is not in use.

Things to do when the LCD display shows image retention:

- Turn off the LCD display for extended periods of time. It can be several hours or several days.
- Use a screen saver and run it for extended periods of time.
- Use a black and white image and run it for extended periods of time.

When the LCD display is moved from one room to another or there is a sudden change from low to high ambient temperature, dew condensation may form on or inside the glass surface. When this happens, do not turn on the LCD display until the dew disappears.

Due to humid weather conditions, it is normal for mist to form inside the glass surface of the LCD display. The mist will disappear after a few days or as soon as the weather stabilizes.

There are millions of micro transistors inside the LCD display. It is normal for a few transistors to be damaged and to produce spots. This is acceptable and is not considered a failure.

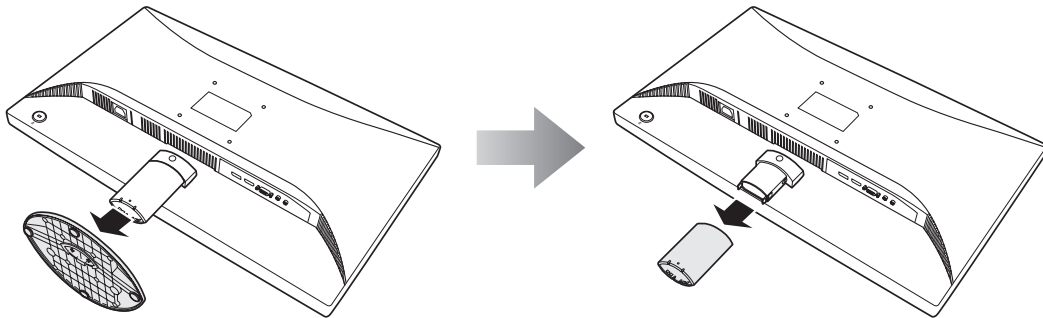
# PRECAUTIONS

## Transporting the LCD Display

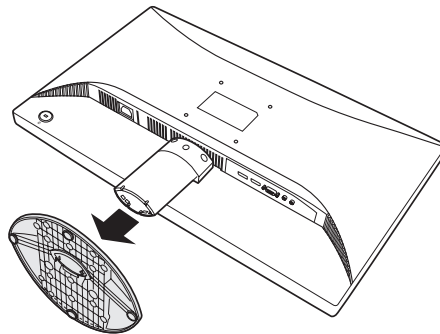
To transport the LCD display for repair or shipment, place the display in its original packaging box.

### 1. Remove the base stand.

- a. Place the LCD display with the screen side down on a cushioned surface.
- b. Detach the stand from the base mount.
- c. Detach the neck from the base mount (only applicable for LW-22E / LW-24E model).



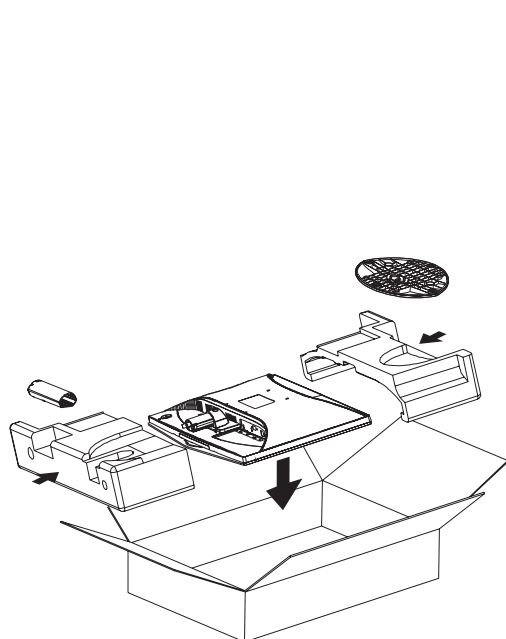
LW-22E / LW-24E



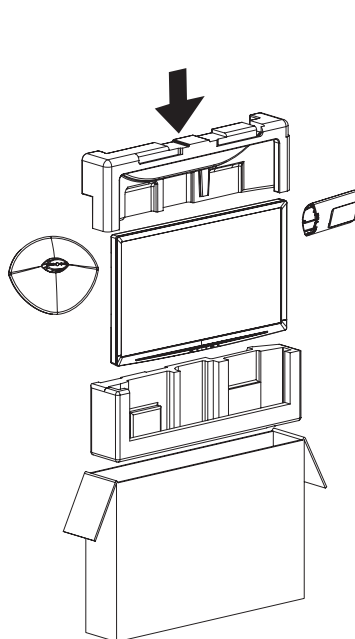
LW-27E

2. Put the LCD display inside its original plastic. Then place the LCD display with the screen side down on the foam cushion.
3. Put all other contents on their designated area (if necessary).
4. Close and tape the box.

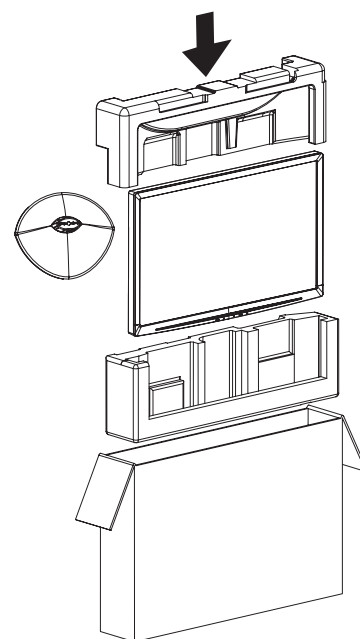
# PRECAUTIONS



LW-22E



LW-24E



LW-27E

## Note:

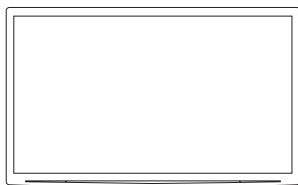
- *It is recommended to use the original packaging box.*
- *When repacking, carefully place the LCD display in its box and protect the glass panel from touching any object.*



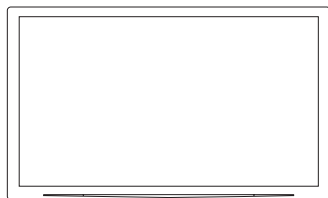
# CHAPTER 1: PRODUCT DESCRIPTION

## 1.1 Package Contents

When unpacking, check if the following items are included in the package. If any of them is missing or damaged, contact your dealer.

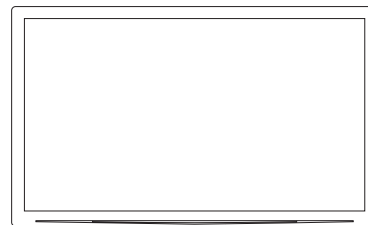


LW-22E

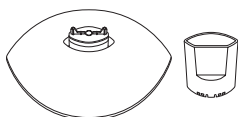


LW-24E

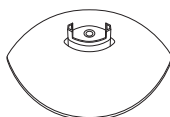
LCD display



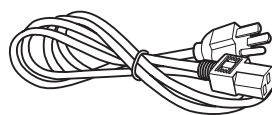
LW-27E



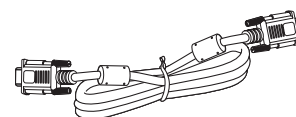
Stand and Neck  
(LW-22E / LW-24E)



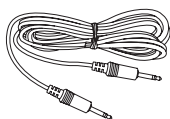
Stand  
(LW-27E)



Power cord



D-Sub 15-pin signal  
cable



Audio cable



Quick start guide



Warranty card

### Note:

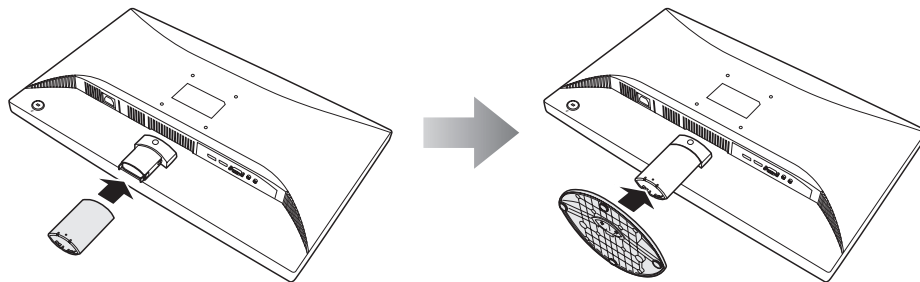
- Use only the supplied power cord.
- The above pictures are for reference only. Actual items may vary upon shipment.

# PRODUCT DESCRIPTION

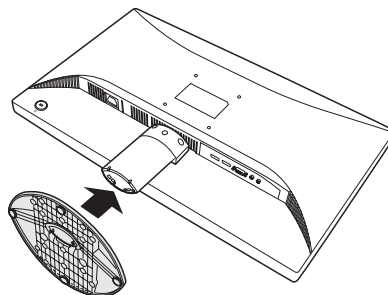
## 1.2 Installation

### 1.2.1 Installing the Stand

1. Place the LCD display with the screen side down on a cushioned surface.
2. Attach the stand to the LCD display.
  - a. Attach the neck to the base mount (only applicable for LW-22E / LW-24E model).
  - b. Attach the stand to the base mount.



LW-22E / LW-24E

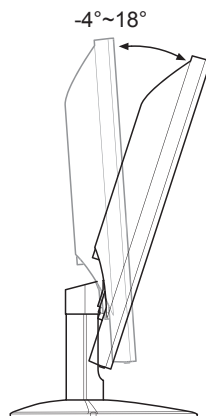


LW-27E

3. Set the LCD display up in an upright position.

### 1.2.2 Adjusting the Tilt

For comfort viewing, tilt the LCD display up to an angle of 18°. Hold the stand with one hand and use the other to adjust the LCD display to the desired angle.



# PRODUCT DESCRIPTION

## 1.2.3 Wall Mounting

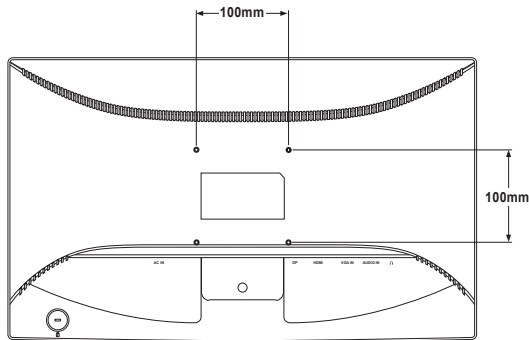
To wall mount the LCD display, do the following steps:

### 1. Remove the stand.

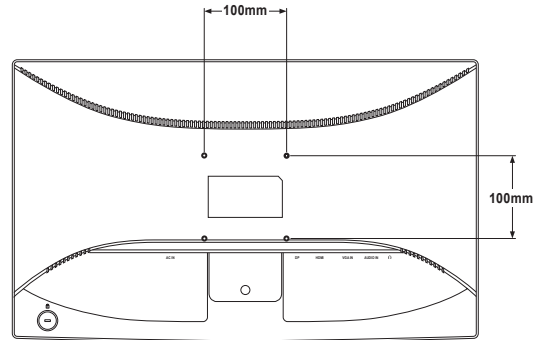
Please refer to page 7.

### 2. Wall mount the LCD display.

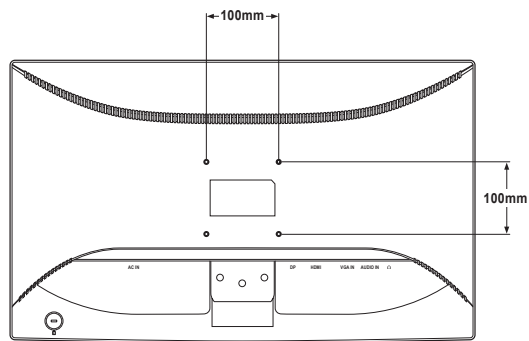
Screw the mounting bracket to the VESA holes at the rear of the LCD display.



LW-22E



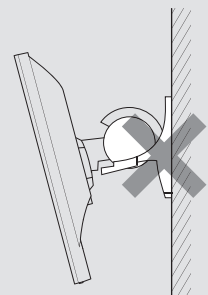
LW-24E



LW-27E

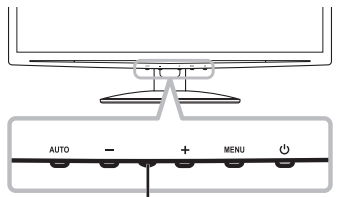
**Note:** Take measures to prevent the LCD display from falling down and lessen possible injury and damage to the display in case of earthquakes or other disasters.

- Use only the 100 x 100 mm wall mount kit recommended by AG Neovo. All AG Neovo wall mount kits comply with VESA standard.
- Secure the LCD display on a solid wall strong enough to bear its weight.
- It is suggested to wall mount the LCD display without tilting it facing downward.

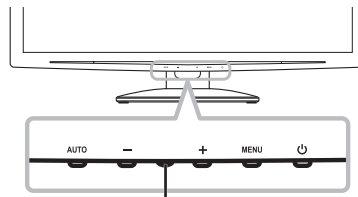


# PRODUCT DESCRIPTION

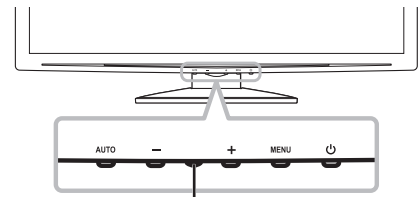
## 1.3 Control Buttons



LED Indicator  
**LW-22E**



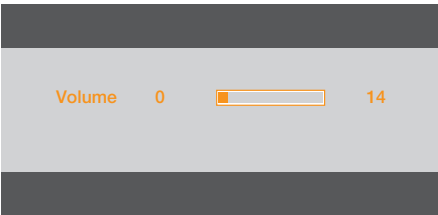
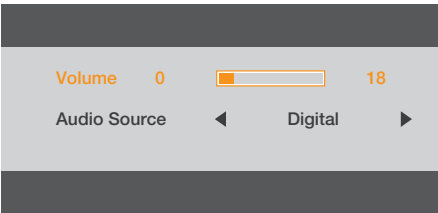

LED Indicator  
**LW-24E**



LED Indicator  
**LW-27E**

Button	Description
Auto Button ( <b>AUTO</b> )	<p><b>Auto Adjustment (available in VGA input only)</b></p> <p>Press and hold the <b>AUTO</b> button to perform auto adjustment. This function automatically tunes the LCD display to its optimal setting, including horizontal position, vertical position, clock, and phase.</p> <p>When auto adjustment is initiated, the below message is displayed on the screen.</p> <div data-bbox="724 887 1166 1099" data-label="Image"> </div> <p>When the message disappears, this indicates the auto adjustment is completed.</p> <p><b>Note:</b></p> <ul style="list-style-type: none"> <li>• During auto adjustment, the screen will slightly shake for a few seconds.</li> <li>• It is recommended to use the auto adjustment function when using the LCD display for the first time or after a resolution or frequency change.</li> </ul> <p><b>Input Quick Menu</b></p> <ul style="list-style-type: none"> <li>• Press the <b>AUTO</b> button to call out the Input quick menu.</li> </ul> <div data-bbox="799 1438 1241 1650" data-label="Image"> </div> <p>Then press the <b>AUTO</b> button repeatedly to switch the input source and press the <b>MENU</b> button to confirm.</p> <p><b>During OSD menu</b></p> <ul style="list-style-type: none"> <li>• Use to close the OSD menu or exit a submenu.</li> </ul> <p><b>During volume adjustment or Eco mode selection</b></p> <ul style="list-style-type: none"> <li>• Use to close the respective quick menu.</li> </ul>

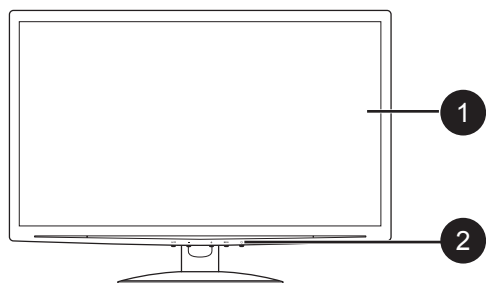
# PRODUCT DESCRIPTION

Button	Description
<p>Decrease / Increase Button (-/+)</p>	<p><b>Volume Quick Menu</b></p> <ul style="list-style-type: none"> <li>Press the + button to call out the Volume quick menu.</li> </ul>  <p>Then press the -/+ button to adjust the volume level.</p> <p><b>Note:</b></p> <ul style="list-style-type: none"> <li>During volume or menu setting adjustment, press and hold the -/+ button to change the values continuously.</li> <li>For HDMI input signal, the <b>Audio Source</b> option will appear on the screen when you press the + button.</li> </ul>  <p>To configure the audio input source, press the <b>MENU</b> button to select <b>Audio Source</b>. Then use the -/+ button to select the desired setting (Line-in/Digital).</p> <p><b>Eco Mode Quick Menu</b></p> <ul style="list-style-type: none"> <li>Press the - button to call out the Eco Mode quick menu.</li> </ul>  <p>Then press the -/+ button to select the desired setting.</p> <p><b>During OSD menu</b></p> <ul style="list-style-type: none"> <li>Use to scroll through the menu options.</li> <li>Use to select an option and adjust the settings.</li> </ul>
<p>LED Indicator</p>	<p>LED lights blue during normal operation and lights amber when on standby mode.</p>
<p>Menu Button (MENU)</p>	<p><b>On Screen Display (OSD)</b></p> <ul style="list-style-type: none"> <li>Press to call out the OSD menu.</li> </ul> <p><b>During OSD menu</b></p> <ul style="list-style-type: none"> <li>Use to confirm the selection or enter a submenu.</li> </ul>
<p>Power Button (⏻)</p>	<p><b>Power ON/OFF</b></p> <ul style="list-style-type: none"> <li>Press once to turn the display ON.</li> <li>Press again to turn the display OFF.</li> </ul>

# PRODUCT DESCRIPTION

## 1.4 Overview

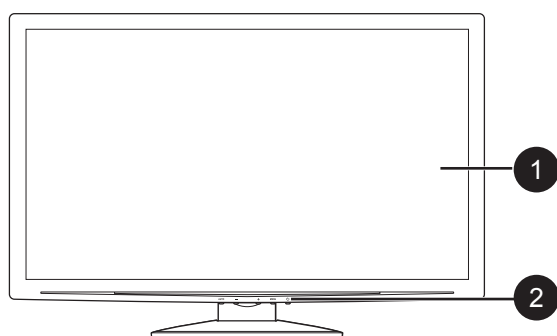
### 1.4.1 Front View



LW-22E



LW-24E



LW-27E

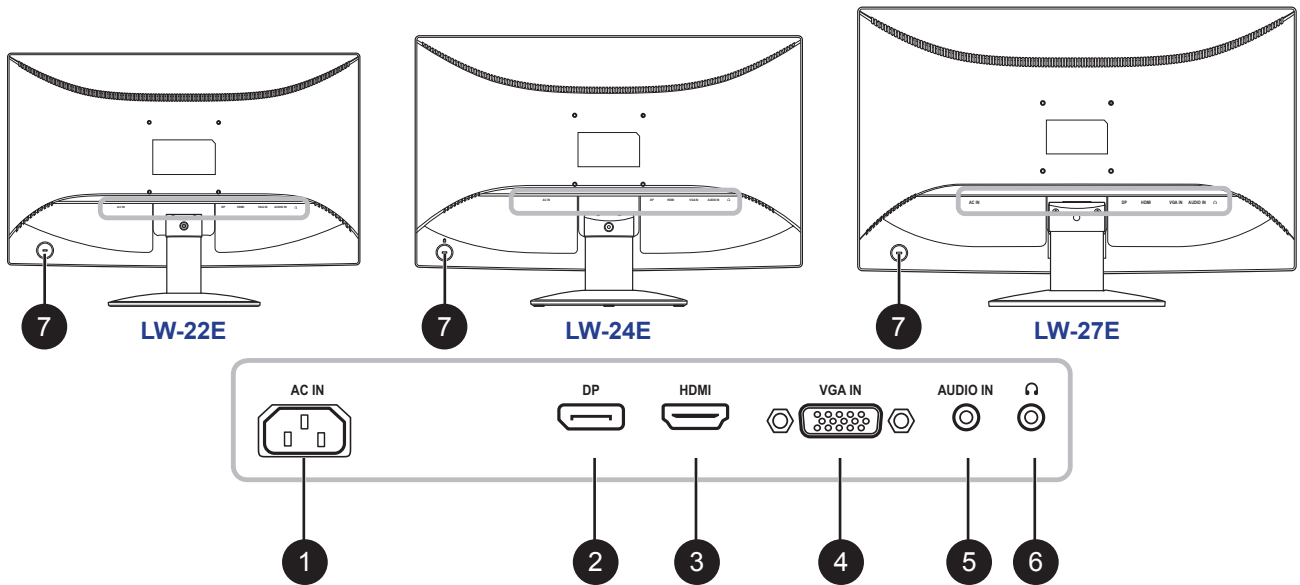
1 **Display screen**

2 **Control buttons**

Press the button to perform its function. For more information about each button, refer to page 12.

# PRODUCT DESCRIPTION

## 1.4.2 Rear View



- 1 AC Power Input**  
Use to connect the power cord.
- 2 DP(DisplayPort) connector**  
Use to connect a DP cable for digital input signal.
- 3 HDMI connector**  
Use to connect an HDMI cable for digital input signal.
- 4 VGA connector**  
Use to connect a VGA cable for analogue input signal.
- 5 Audio Input port**  
Use to connect an audio cable for audio input.
- 6 Headphone jack**  
Use to connect a headphone.
- 7 Kensington lock socket**  
Use to physically lock the system to prevent theft.  
The locking device is sold separately. To purchase, contact your retailer.

# CHAPTER 2: MAKING CONNECTIONS

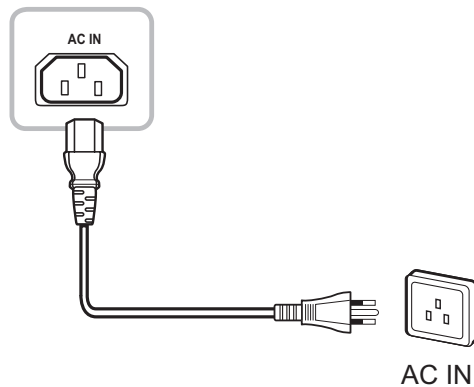


**CAUTION:**

Make sure that the LCD display is not connected to the power outlet before making any connections. Connecting cables while the power is ON may cause possible electric shock or personal injury.

## 2.1 Connecting the AC Power

1. Connect the power cord to the AC power input at the rear of the LCD display.
2. Connect the plug to a power outlet or power supply.



**CAUTION:**

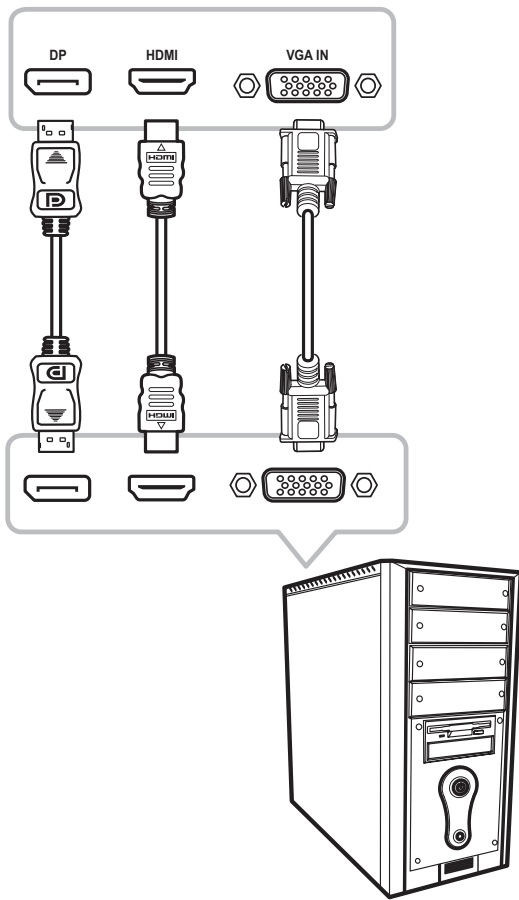
When unplugging the power cord, hold the power cord by the plug head. Never pull by the cord.



# MAKING CONNECTIONS

## 2.2 Connecting Input Source Signals

Input source signals can be connected with either of the following cables:



- **DP**

Connect one end of a DP cable to the DP connector of the LCD display and the other end to the DP connector of the computer.

- **HDMI**

Connect one end of an HDMI cable to the HDMI connector of the LCD display and the other end to the HDMI connector of the computer.

- **VGA**

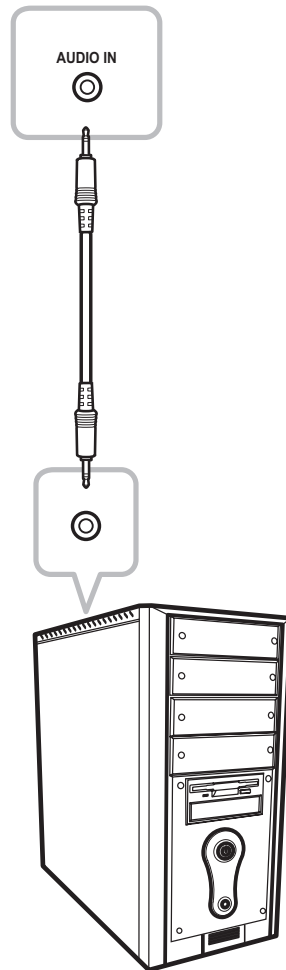
Connect one end of a D-sub 15-pin cable to the VGA connector of the LCD display and the other end to the D-sub connector of the computer.

# MAKING CONNECTIONS

## 2.3 Connecting Audio Devices

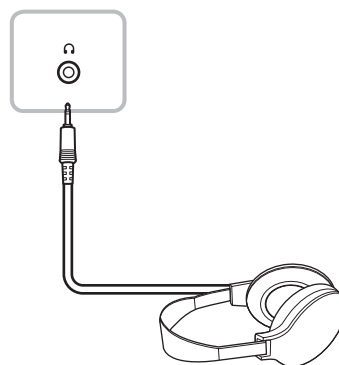
- **Audio Input**

Connect one end of an audio cable to the audio port of the LCD display and the other end to the audio port of the computer.



- **Audio Output**

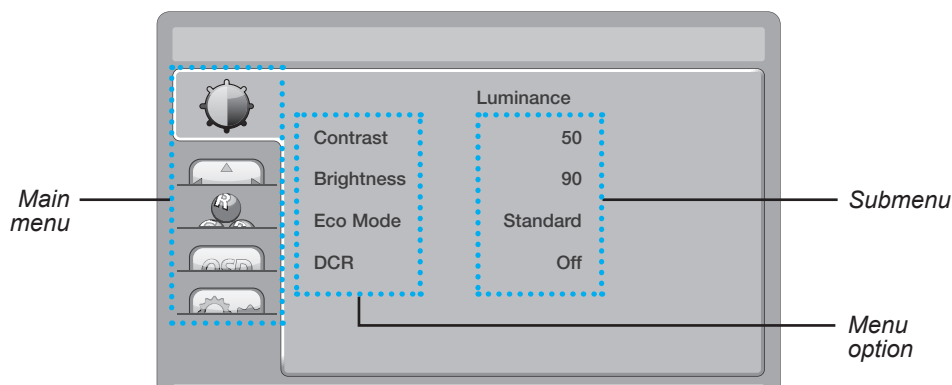
Connect a headphone to the headphone jack of the LCD display.



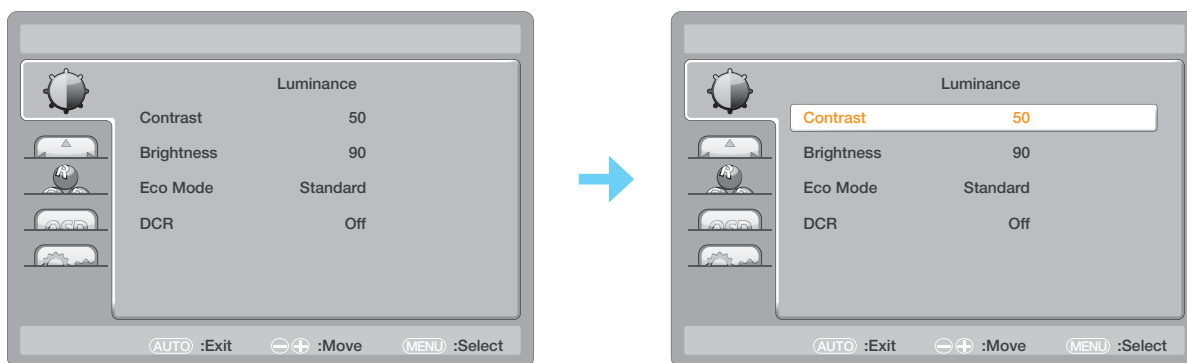
# CHAPTER 3: ON SCREEN DISPLAY MENU

## 3.1 Using the OSD Menu

1. Press the MENU button to call out the OSD window.

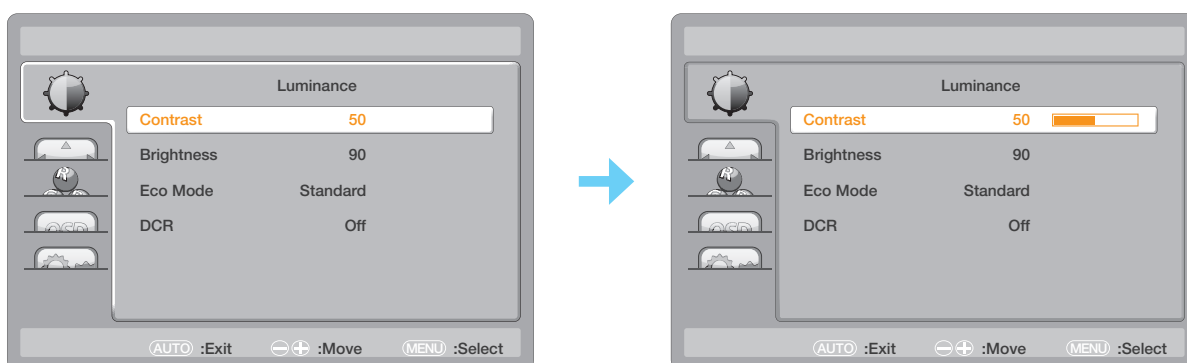


2. Press the - or + button to select a menu and press the MENU button to enter the selected menu.



The selected menu icon appears on the left panel and the text of the selected menu option turns orange.

3. Press the - or + button to select an option and press the MENU button to enter its submenu.



The text of the selected menu option or submenu turns orange.




4. Press the - or + button to adjust the settings.
5. To exit the submenu, press the AUTO button.
6. To close the OSD window, press the AUTO button twice.

**Note:** When settings are modified, all changes are saved when the user does the following:



- Proceeds to another menu
- Exits the OSD menu
- Waits for the OSD menu to disappear

# ON SCREEN DISPLAY MENU

## 3.2 OSD Menu Tree

Main Menu	Submenu		Reference	
Luminance 	Contrast		Refer to page 22.	
	Brightness			
	Eco Mode	Text		
		Internet		
		Game		
		Movie		
		Sports		
		Standard		
DCR	Off			
	On			
Image Setup 	Clock		Refer to page 23.	
	Phase			
	H. Position			
	V. Position			
	Image Ratio	Wide		
		4:3		
Color Temp. 	Color Temp.	Warm	Refer to page 24.	
		Normal		
		Cool		
		sRGB		
		User		
	Red			
	Green			
	Blue			
	Blue Light Filter	Off		
		On		


# ON SCREEN DISPLAY MENU

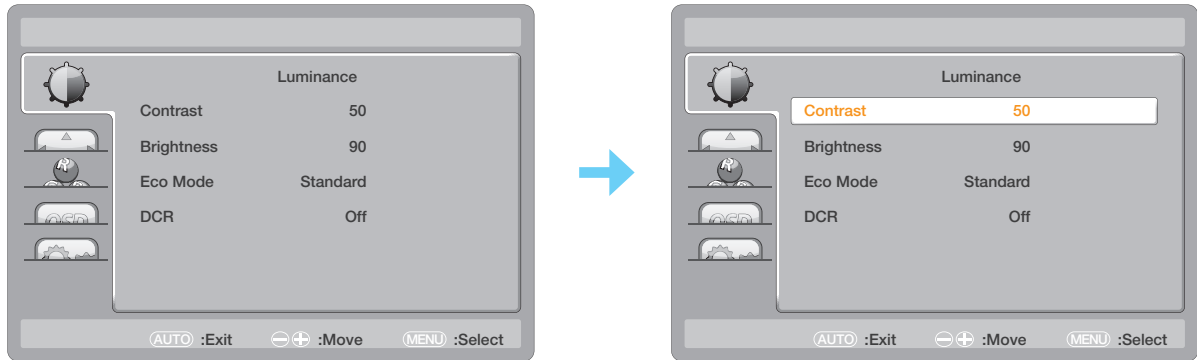
Main Menu	Submenu		Reference	
OSD Setup 	H. Position		Refer to page 25.	
	V. Position			
	Timeout			
	Language	English		
		Spanish		
		French		
		Portuguese		
		Russian		
		Simplified Chinese		
Traditional Chinese				
Korean				
Extra 	Input Select	Auto	Refer to page 26.	
		D-SUB		
		HDMI		
		DisplayPort		
	DDC/CI	On		
		Off		
	Reset	Yes		
		No		
Information				

**Note:** Availability of some menu items depend on the input source signal and current setting. If the menu is not available, it is disabled and grayed out.

# CHAPTER 4: ADJUSTING THE LCD DISPLAY

## 4.1 Luminance Setting

1. Press the MENU button to call out the OSD window.
2. Press the - or + button to select  and press the MENU button to enter the Luminance menu.




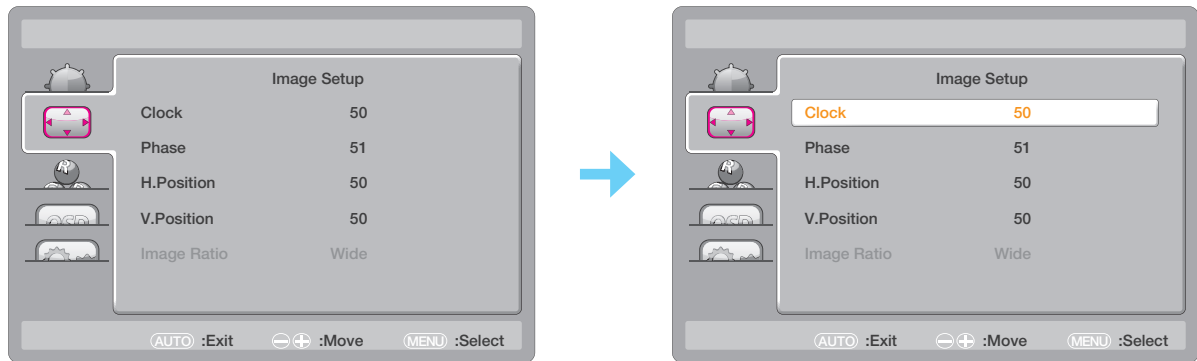
3. Press the - or + button to select an option and press the MENU button to enter its submenu.

Item	Function	Operation	Range
Contrast	Adjusts the difference between the black level and the white level.	Press the - or + button to adjust the value.	0 to 100
Brightness	Adjusts the luminance of the screen image.		
Eco Mode	Chooses a predefined picture setting.	Press the - or + button to select the setting.	Text Internet Game Movie Sports Standard
DCR (Dynamic Contrast Ratio)	Activates DCR. This feature provides automatic adjustment of picture brightness and contrast at high speed and dynamic contrast range, such as when watching movies. DCR is suitable for indoor viewing.		On Off

# ADJUSTING THE LCD DISPLAY

## 4.2 Image Setup Setting

1. Press the MENU button to call out the OSD window.
2. Press the - or + button to select  and press the MENU button to enter the Image Setup menu.




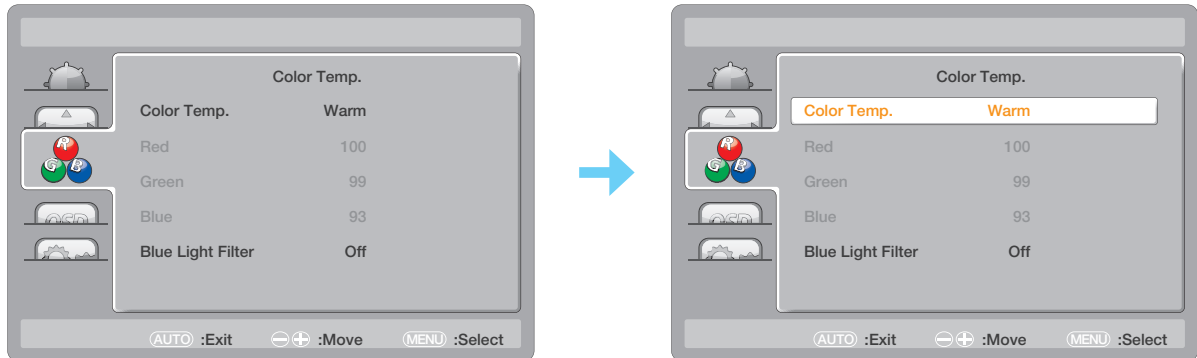
3. Press the - or + button to select an option and press the MENU button to enter its submenu.

Item	Function	Operation	Range
Clock	Adjusts the frequency timing to synchronise with the video signal. <b>Note:</b> <i>This menu option is only available if the input source is VGA.</i>	Press the - or + button to adjust the value.	0 to 100
Phase	Adjusts the phase timing to synchronise with the video signal. <b>Note:</b> <i>This menu option is only available if the input source is VGA.</i>		
H. Position (Horizontal Position)	Moves the screen image to the left or right. <b>Note:</b> <i>This menu option is only available if the input source is VGA.</i>		
V. Position (Vertical Position)	Moves the screen image up or down. <b>Note:</b> <i>This menu option is only available if the input source is VGA.</i>		
Image Ratio	Selects the aspect ratio of the screen image.	Press the - or + button to select the setting.	Wide 4:3

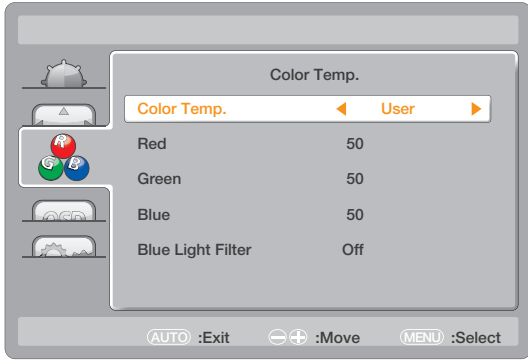
# ADJUSTING THE LCD DISPLAY

## 4.3 Color Temperature Setting

1. Press the **MENU** button to call out the OSD window.
2. Press the **-** or **+** button to select  and press the **MENU** button to enter the Color Temp. menu.



3. Press the **-** or **+** button to select an option and press the **MENU** button to enter its submenu.

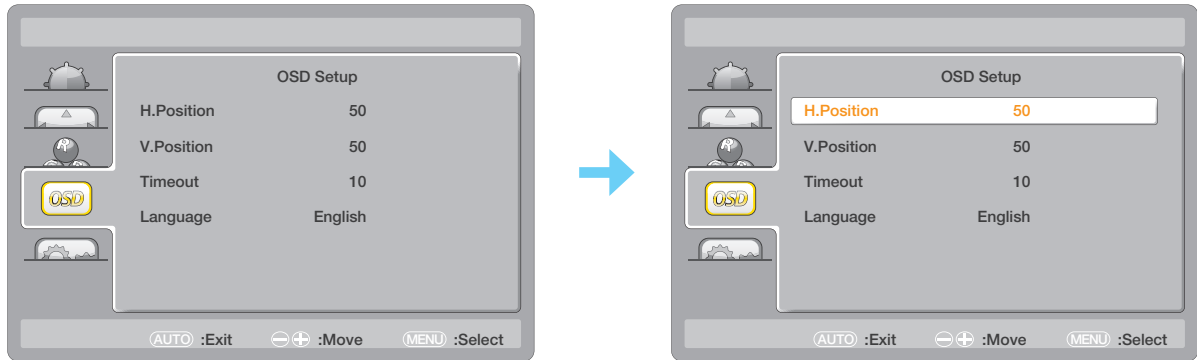
Item	Function	Operation	Range
Color Temp. (Color Temperature)	Provides several color adjustment settings.	Press the <b>-</b> or <b>+</b> button to select the setting.	Warm Normal Cool sRGB User
	<p>If the <b>Color Temp.</b> setting is set to <b>User</b>, you can customize the color temperature by adjusting the red, green, or blue setting according to your preference.</p>  <ol style="list-style-type: none"> <li>a. Select <b>User</b> and press the <b>MENU</b> button.</li> <li>b. Press the <b>-</b> or <b>+</b> button to select the color you want to adjust. Then press the <b>MENU</b> button to enter its submenu.</li> <li>c. Press the <b>-</b> or <b>+</b> button to adjust the value (0 ~ 100).</li> </ol>		
Blue Light Filter	Enables/Disables the blue light filter function. When enabled, it decreases the amount of blue light displayed on the screen, ensuring users a comfortable viewing experience by reducing eyestrain after long periods of use.	Press the <b>-</b> or <b>+</b> button to select the setting.	On Off



# ADJUSTING THE LCD DISPLAY

## 4.4 OSD Setup Setting

1. Press the MENU button to call out the OSD window.
2. Press the - or + button to select **OSD** and press the MENU button to enter the OSD Setup menu.




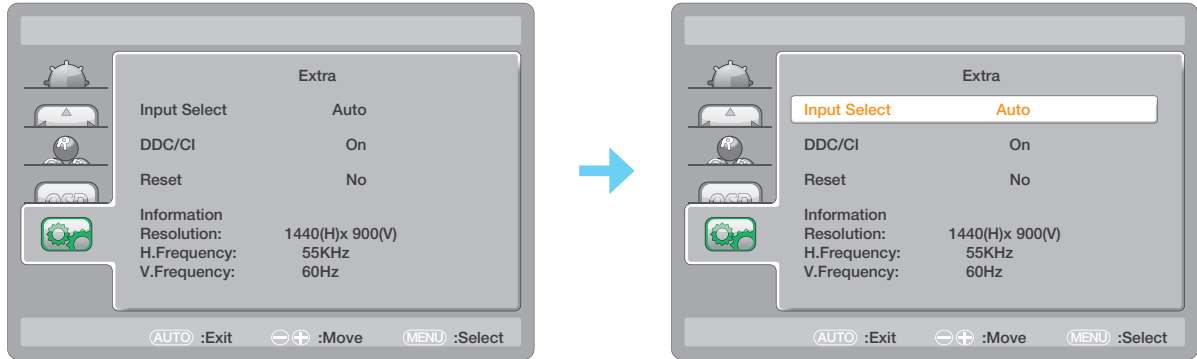
3. Press the - or + button to select an option and press the MENU button to enter its submenu.

Item	Function	Operation	Range
H. Position (Horizontal Position)	Moves the OSD window to the left or right of the screen.	Press the - or + button to adjust the value.	0 to 100 (increment by 5)
V. Position (Vertical Position)	Moves the OSD window up or down the screen.		
Timeout	Sets the length of time (in seconds) the OSD screen is displayed. When the time elapses, the OSD screen is automatically inactivated.	Press the - or + button to select the setting.	5 to 100 (increment by 5)
Language	Chooses the language used for OSD menus.		English Spanish French Portuguese Russian Simplified Chinese Traditional Chinese Korean

# ADJUSTING THE LCD DISPLAY

## 4.5 Extra Setting

1. Press the MENU button to call out the OSD window.
2. Press the - or + button to select  and press the MENU button to enter the Extra menu.



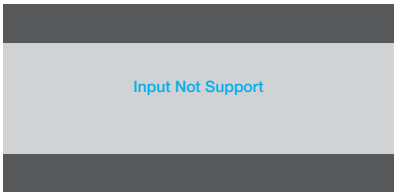
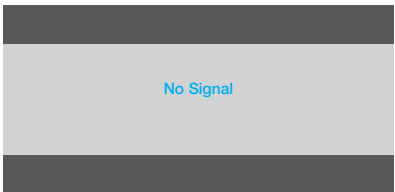
3. Press the - or + button to select an option and press the MENU button to enter its submenu.

Item	Function	Operation	Range
Input Select	Switches the input source.	Press the - or + button to select the setting.	Auto D-SUB HDMI DisplayPort
DDC/CI	Activates the DDC/CI protocol to allow users to configure the monitor by a software using a VGA cable.		On Off
Reset	Resets all your customized settings to the factory defaults.		Yes No
Information	Displays the information of the input source such as Resolution, Horizontal Frequency, and Vertical Frequency.	-	-

# CHAPTER 5: APPENDIX



## 5.1 Warning Messages

When any of these warning messages appear, check the following items.

Warning Message	Cause	Solution
 A screenshot of a warning message box with a dark grey header and footer, and a light grey background. The text "Input Not Support" is displayed in blue.	The resolution or the refresh rate of the graphics card of the computer is set too high.	√ Change the resolution or the refresh rate of the graphics card.
 A screenshot of a warning message box with a dark grey header and footer, and a light grey background. The text "No Signal" is displayed in blue.	The LCD display cannot detect the input source signal.	√ Check if the input source is turned ON. √ Check if the signal cable is properly connected. √ Check if any pin inside the cable connector is twisted or broken.

# APPENDIX

## 5.2 Troubleshooting

Problems	Possible Cause and Solution
No picture. <ul style="list-style-type: none"> <li>• LED indicator is OFF.</li> </ul>	<ul style="list-style-type: none"> <li>• Check if the LCD display is turned ON.</li> <li>• Check if the power adapter is properly connected to the LCD display.</li> <li>• Check if the power cord is plugged into the power outlet.</li> </ul>
<ul style="list-style-type: none"> <li>• LED indicator is blue.</li> </ul>	<ul style="list-style-type: none"> <li>• Check if the computer is turned ON.</li> <li>• Check if the computer is in standby mode, move the mouse or press any key to wake up the computer.</li> </ul>
Image position is incorrect.	<ul style="list-style-type: none"> <li>• For VGA input, adjust the <b>H. Position</b> and <b>V. Position</b> settings in <b>Image Setup</b>  menu (refer to page 23).</li> </ul>
The displayed texts are blurry.	<ul style="list-style-type: none"> <li>• For VGA input, do the following:               <ul style="list-style-type: none"> <li>√ Press and hold the <b>AUTO</b> button to auto-adjust the display (refer to page 12).</li> <li>√ Adjust the <b>Clock</b> and <b>Phase</b> settings in <b>Image Setup</b>  menu (refer to page 23).</li> </ul> </li> </ul>
Red, blue, green, white dots appear on the screen.	<ul style="list-style-type: none"> <li>• There are millions of micro transistors inside the LCD display. It is normal for a few transistors to be damaged and to produce spots. This is acceptable and is not considered a failure.</li> </ul>
No audio output.	<ul style="list-style-type: none"> <li>• Check if the volume is set to 0 (refer to page 13).</li> <li>• For VGA input, check the audio setting of the computer.</li> </ul>
Dew formed on the LCD display.	<ul style="list-style-type: none"> <li>• This normally happens when the LCD display is moved from a cold room to a hot room temperature. Do not turn ON the LCD display, wait for the dew condensation to disappear.</li> </ul>
Faint shadows from a static image appear on the screen.	<ul style="list-style-type: none"> <li>• Turn off the LCD display for extended periods of time.</li> <li>• Use a screen saver or a black and white image and run it for extended periods of time.</li> </ul>

# CHAPTER 6: SPECIFICATIONS

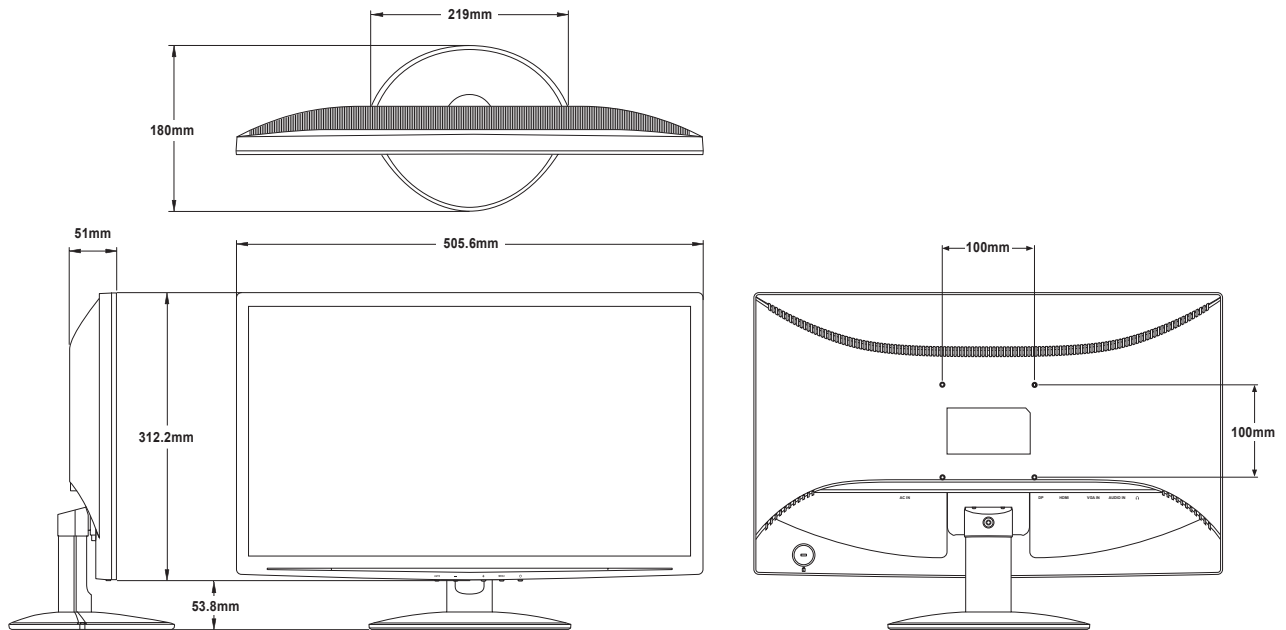
Item		Model Name		
		LW-22E	LW-24E	LW-27E
<b>Electrical Characteristics</b>				
Panel	Panel Size	21.5"	23.6"	27"
	Max. Resolution	FHD 1920 x 1080		
	Brightness	250cd/m <sup>2</sup>	250cd/m <sup>2</sup>	300cd/m <sup>2</sup>
	Contrast Ratio	30,000,000:1 (DCR)		
	Viewing Angle (H/V)	170°/160°		
	Display Color	16.7M		
	Response Time	3ms		
Frequency (H/V)		H: 30kHz – 83kHz V: 56Hz – 76Hz		
Input	Analogue	15-Pin D-Sub		
	Digital	HDMI 1.4 DP1.2		
Audio	Audio In	1 x stereo audio jack for PC (3.5mm)		
	Audio Out	1 x headphone jack		
	Speaker	2W x 2		
Power	Power Supply	Internal		
	Power Type	100-240V AC, 50/60Hz		
	Consumption (Maximum)	33 Watts	45 Watts	50 Watts
<b>Physical Characteristics</b>				
Operating Conditions	Temperature	0°C ~ 40°C		
	Humidity	10% ~ 85%		
Storage Conditions	Temperature	-25°C ~ 55°C		
	Humidity	5% ~ 93%		
Dimensions (W x H x D)	With Stand	505.6 x 366 x 180 mm	566 x 395 x 190 mm	642 x 438.7 x 210 mm
	Packaging	553 x 369x 120 mm	617 x 418 x 125 mm	723 x 520 x 141 mm
Weight	With Stand	3.2 kg	3.6 kg	5.5 kg
	Packaging	4.8 kg	5.2 kg	7.8 kg

**Note:** All specifications are subject to change without prior notice.

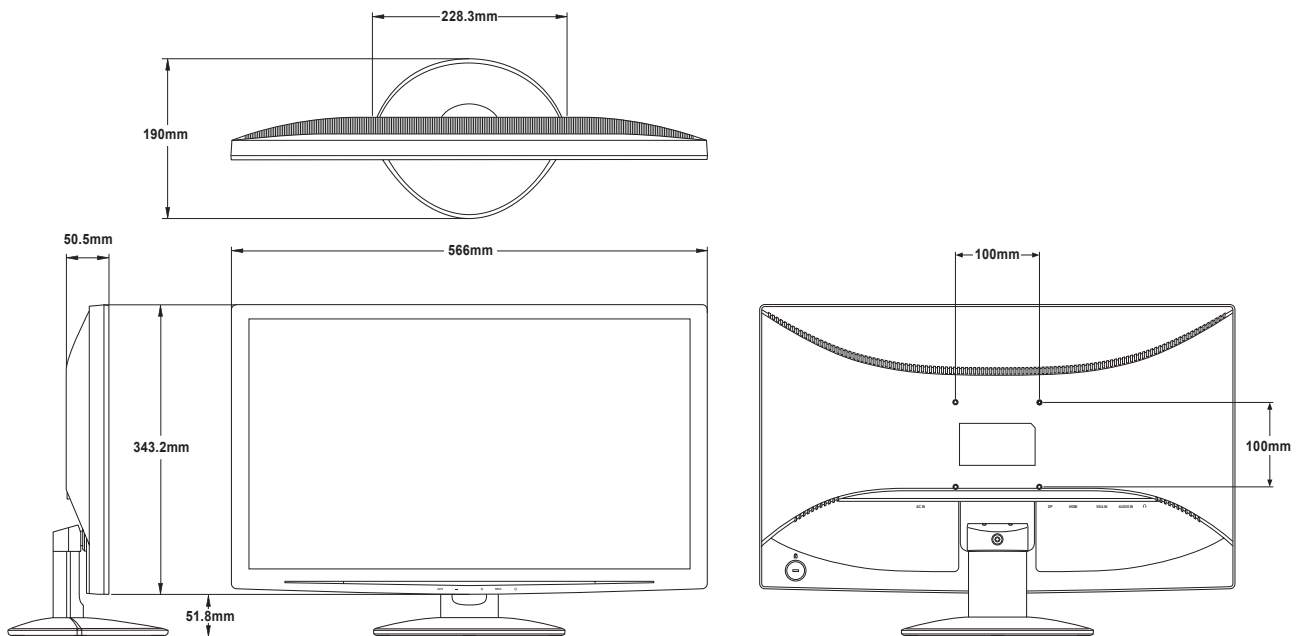
# SPECIFICATIONS

## 6.2 Display Dimensions

### LW-22E

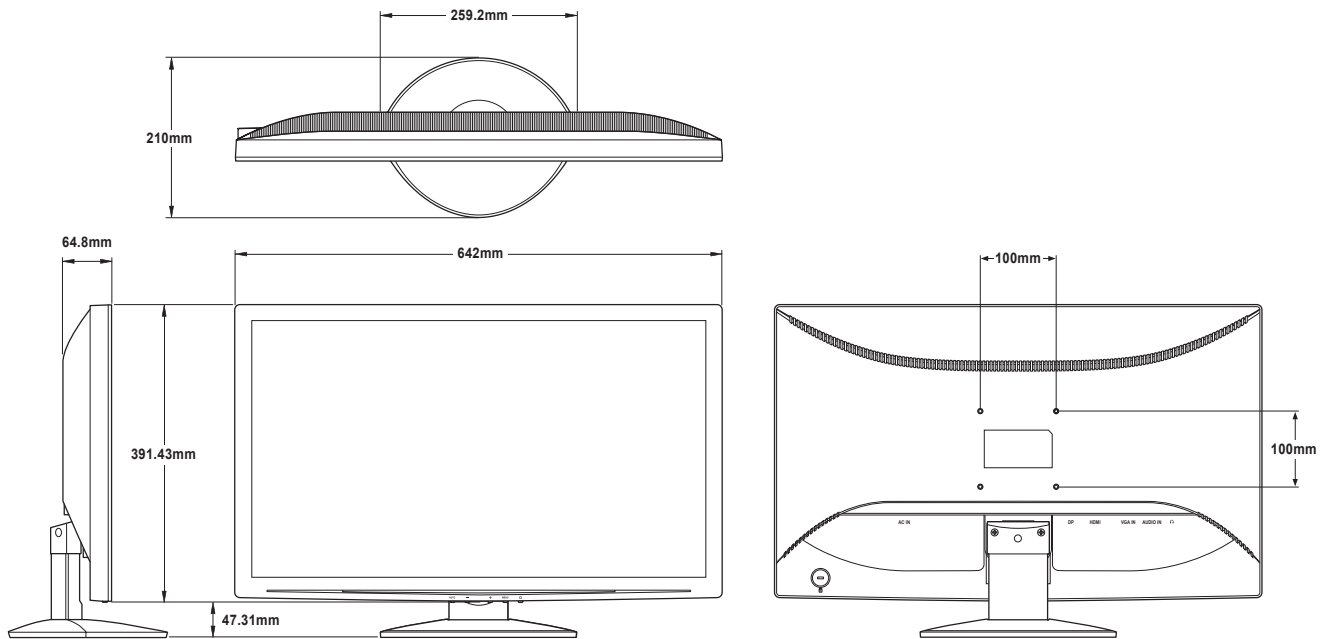


### LW-24E



# SPECIFICATIONS

## LW-27E



### AG Neovo

Company Address: 5F-1, No. 3-1, Park Street, Nangang District, Taipei, 11503, Taiwan.

Copyright © 2018 AG Neovo. All rights reserved.

LW-22E/LW-24E/LW-27E\_UM\_V010